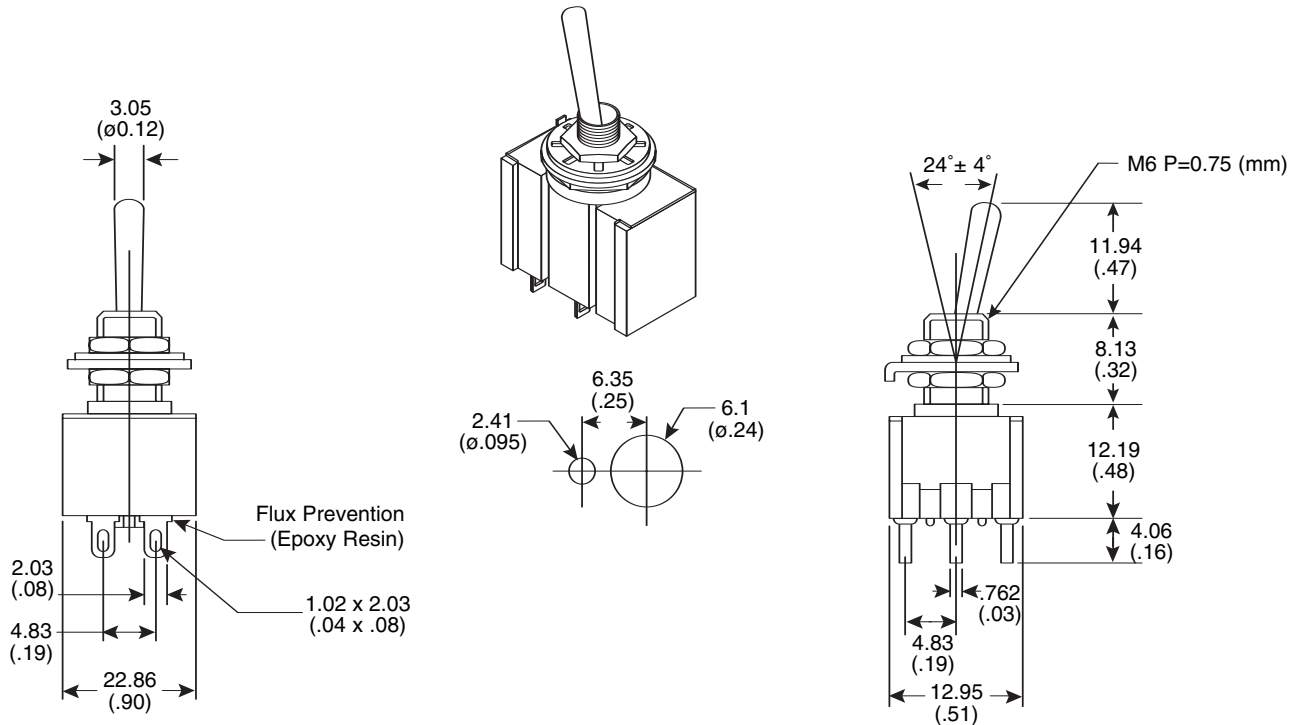


Dimensions: mm (In.)



Mechanical Specifications:

- Mechanical life: over 30,000 operations (switching frequency 20 operations minute)
- Ambient temperature: -10C to + 55C
- Ambient humidity: 85% RH max.

Electrical Specifications:

- Rating: 6A/125VAC; 3A/250VAC; 6A/30VDC
- Inductive load: 6A/125VAC (power factor 0.8), (3A/250VAC) (p. f. 0.8)
- Electrical life: over 10,000 operations (same as above) (rated load)
- Insulation resistance: over 100MΩ (by DC 500V tester)
- Dielectric Strength: 1,000VAC for 1 minute (between contact & case)
- Contact resistance: 20mΩ max.

Mouser Stock No.	Type	Circuit
10TC290	4PDT	ON-ON
10TC295	4PDT	ON-OFF-ON

Description	Material	Finish
Lever	C3603BDS	Ep-Cu/Ni, Cr
Metal	C3603BDS	Ep-Cu/Ni, Cr
Hex. Nut	SWCH-8R	Ep-Cu/Ni
Toothed Washer	SK-6	---
Ring	SPCC	---
Frame	SUS	---
Body	Melamine Penol	---
Terminal	Ag+Cu	Ep-Cu/Ag
Center Term.	ClI00R	Ep-Cu/Ag

Miniature Toggle Switches
10TC290, 10TC295

